

Note!

Please note that this image is a general representation of the product and may differ slightly from your product.

Note!

Please note that during storage and transportation, especially at high ambient temperature, some of the oil and grease used for assembling may leak and stain the packaging. This is in no way detrimental to the product, wipe off the excessive oil/grease with a cloth.

Note!

Before installing this product, check the contents of the kit. If anything is missing, please check an Öhlins dealer.

Kit Contents

Description	Part No	Pcs
Shock absorber	HD 791	2
Washer 12/15/2.5	63118-01	8
Washer 13/24/2.5	60426-03	4
Tool prelaod adjuster	03199-03	1
Sticker Öhlins	01185-01	2
Sticker Öhlins	01185-04	2
Sticker Öhlins	00192-01	2
Owner's Manual	07241-02	1

Warning!

Before installing this product, read the Öhlins Owner's Manual. The shock absorber is an important part of your vehicle and will affect the stability.

Shock Absorber for Harley Davidson Street 750

HD 791

Mounting Instructions



MOUNTING INSTRUCTIONS

Warning!

It is advisable to have an Öhlins dealer install the shock absorber.

Warning!

If working on a raised vehicle, ensure it is securely supported so that it will not tip over.

Note!

Before mounting this product clean the vehicle thoroughly.

Note!

When working on this product, always see the Vehicle Service Manual for vehicle specific procedures and important data.

Note!

Lower the vehicle so that the suspension is slightly compressed before tightening the screws.

Caution!

Ensure that all screws are tightened to the correct torque and that nothing fouls or restricts movement of the shock absorber when the suspension is fully compressed or extended.

1

Put the motorcycle on a work stand so that the rear wheel barely touches the ground.

2

Loosen the exhaust mounting bracket bolts (1)

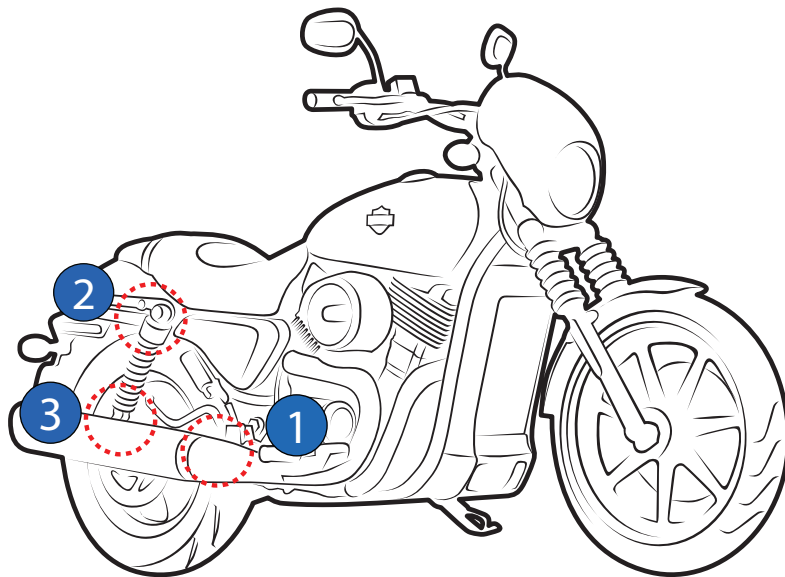
3

Remove the standard shock absorber by loosening the top and bottom mounting bolts (2) (3)

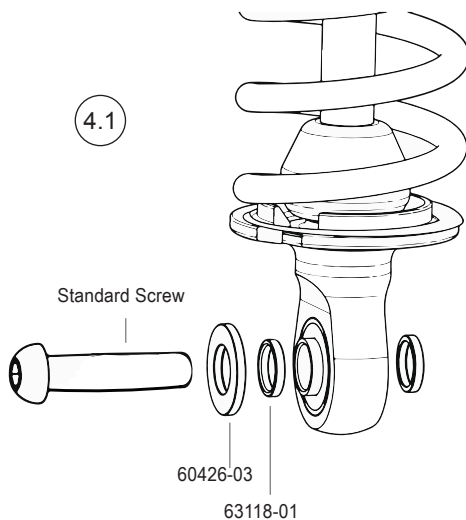
4

Install the Öhlins shock absorber as per picture 4.1 (for both top and bottom mounting points) and tighten at a torque value as specified in the vehicle service manual.

MOUNTING INSTRUCTIONS



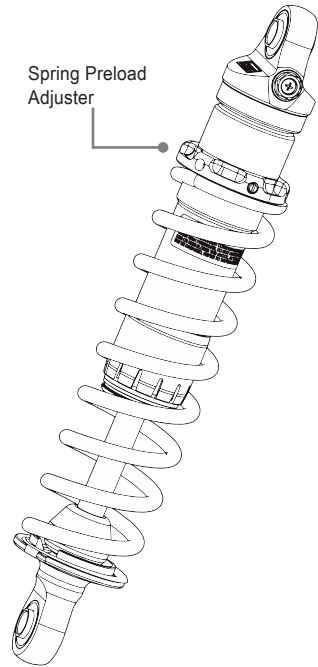
4.1



ADJUSTMENTS

Warning!

Before riding, always make sure that the basic settings made by Öhlins are according to recommended Set-up Data. Read about adjustments and setting up in the Öhlins Owner's Manual before you make any adjustments. Contact an Öhlins dealer if you have any questions about setting up.



SET-UP DATA

Recommended set-up


Spring Preload..... 20 mm.

Spring

Part No 60480-02
Free spring length..... 230 mm.
Spring rate..... Prog. 16-26 N/mm.
Preload adj. range..... [0-45] mm

Shock absorber data

Length 326 mm.
Stroke 85 mm.

 Öhlins products are subject to continuous improvement and development, therefore, although these instructions include the most up-to-date information available at the time of printing, minor updates may occur.

To find the latest information contact an Öhlins distributor. Please contact Öhlins if you have any questions regarding the contents in this document.

Part no. MI_HD791_EN_0
Issued 2016-03-28



© Öhlins Racing AB. All rights reserved. Any reprinting or unauthorized use without the written permission of Öhlins Racing AB

Öhlins Racing AB
Box 722
SE-194 27 Upplands Väsby, Sw
eden Phone +46 8 590 025 00
fax +46 8 590 025 80



www.ohlins.com